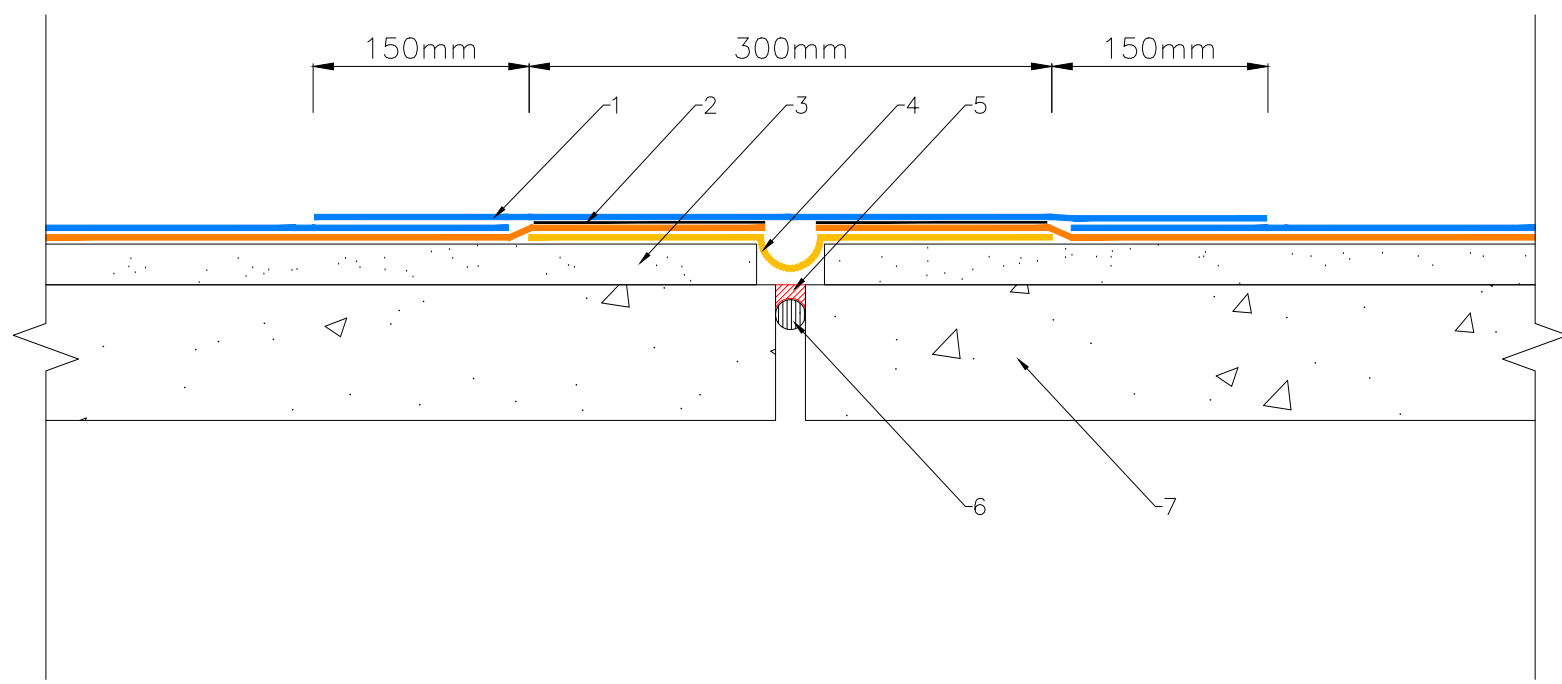



- 1. CAP SHEET
- 2. NON-BONDED AREA
- 3. EXISTING ASPHALT
- 4. SA BASE LOOPED INTO REBATE
- 5. SPECIALIST SEALANT
- 6. PE BACKER ROD
- 7. CONCRETE DECK



C		-	-
B		-	-
A		-	-
REV:	DESCRIPTION:	BY:	DATE:
AMENDMENTS:			

SITE: -		S2T-003E DRAWING NO.		- PROJECT NO.	02/04/2021 DATE.		The Garland Company UK Limited Second Way, Avonmouth, Bristol, BS11 8DF Tel: 01174 401050 Fax: 01174 401057 www.garlandukltd.co.uk
TITLE: SAFE2TORCH - EXPANSION JOINT ASPHALT		NTS SCALE AT A4.	PM DRAWN.	- CHECKED.	- REVISION.		